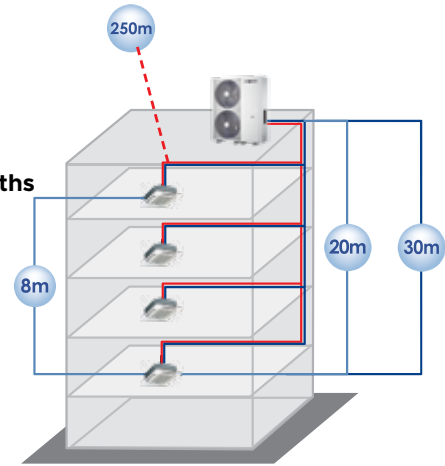


PROJECT VRF R410A FULL DC INVERTER

XRV PLUS MINI Heat pump



FULL DC INVERTER
HCYU 4004 XRV-1 Plus
HCYU 4504 XRV-1 Plus



All units are equipped with a high efficiency Full DC Inverter compressor.

DC Inverter motor fan:

- wider fan speed adjustment range
- reduced noise level

Up to 15 indoor units connected to one compact outdoor unit.

Auto-addressing of indoor units.

Self-diagnosis function for main system problems.

Maximum distance between O.U. and the farthest I.U. = 120 m

Maximum distance from the first branch pipe to the farthest = 40 m

Maximum height difference between O.U. (up high) and I.U. = 30 m

Maximum height difference between O.U. (down low) and I.U. = 20 m

Maximum height difference between I.U. = 8 m

Maximum length of the pipes = 250 m

Model			HCYU 4004 XRV-1 Plus	HCYU 4504 XRV-1 Plus
Power	HP		14	16
Rated cooling capacity (1)	kW		40.0	45.0
Rated heating capacity (2)	kW		45.0	50.0
Electrical data				
Power supply	Ph-V-Hz		3-380~415V-50Hz	
Electric consumption in cooling mode (rated)	kW / A		11.9 / 12x2	13.6 / 15.4x2
Electric consumption in heating mode (rated)	kW / A		11.1 / 12x2	12.7 / 15.4x2
EER performance coefficient in cooling mode	W/W		3.35	3.32
COP performance coefficient in heating mode	W/W		4.05	3.93
Refrigerant circuit/features				
Refrigerant	type (GWP)		R410A (2088)	
	Kg (tons CO2)		9 (18.792)	12 (25.056)
DC Inverter compressor	no. / type		2 / Rotary DC inverter MITSUBISHI	
Refrigerant connections	Liquid	Ø mm (inch)	12.7 (1/2)	
	Gas	Ø mm (inch)	22.2 (7/8)	25.4 (1)
Max pipe length		m	250	
Max height difference between indoor units		m	8	
Max height difference between outdoor and indoor units	O.U. up-down	m	30 - 20	
Product specifications				
Dimensions	LxHxD	mm	1360x1650x540	1460x1650x540
Net weight		Kg	240	275
Sound pressure level at 1 m	max	dB(A)	55/62	
Sound power level	max	dB(A)	82	
Fan air flow	max	m ³ /h	16575	
Operating temp. range in cooling mode		°C / DB	-5 / 43	
Operating temp. range in heating mode		°C / WB	-15 / 24	
Connectable indoor units	no.		14	15
Capacity of connected indoor unit		%	50 - 130	

(1) Cooling capacity tested in accordance with ISO 5151 Standards; outdoor temperature 35° C DB, 24° C WB and indoor temperature 27° C DB, 19° C WB.

(2) Heating capacity tested in accordance with ISO 5151 Standards; outdoor temperature 7° C DB, 6° C WB and indoor temperature 20° C DB, 15° C WB.