

PROJECT VRF R410A FULL DC INVERTER

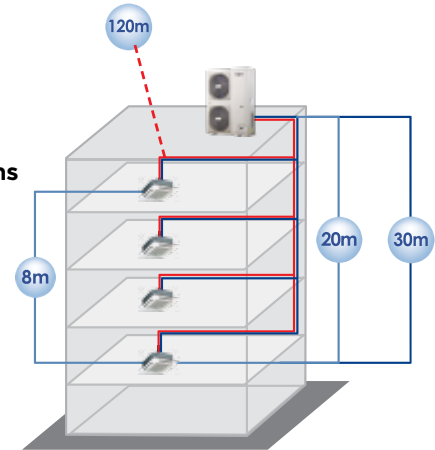
XRV PLUS MINI Heat pump



FULL DC INVERTER
HCYU 2004 XRV-1 Plus
HCYU 2244 XRV-1 Plus
HCYU 2604 XRV-1 Plus

Splitting lengths and height differences

Maximum length of the pipes = 120 m



All units are equipped with a high efficiency Full DC Inverter compressor.

DC Inverter motor fan:

- wider fan speed adjustment range
- reduced noise level

Up to 12 indoor units connected to one compact outdoor unit.

Auto-addressing of indoor units.

Self-diagnosis function for main system problems.

Maximum distance between O.U. and the farthest I.U. = 70 m

Maximum distance from the first branch pipe to the farthest = 20 m

Maximum height difference between O.U. (up high) and I.U. = 30 m

Maximum height difference between O.U. (down low) and I.U. = 20 m

Maximum height difference between I.U. = 8 m

Maximum length of the pipes = 120 m

Model			HCYU 2004 XRV-1 Plus	HCYU 2244 XRV-1 Plus	HCYU 2604 XRV-1 Plus
Power	HP		7	8	9
Rated cooling capacity (1)	kW		20.0	22.4	26.0
Rated heating capacity (2)	kW		22.0	24.5	28.5
Electrical data					
Power supply	Ph-V-Hz		3-380~415V-50Hz		
Electric consumption in cooling mode (rated)	kW / A		6.10 / 14.4	6.80 / 16.1	7.60 / 18.0
Electric consumption in heating mode (rated)	kW / A		6.10 / 14.4	5.90 / 14.0	6.80 / 16.1
EER performance coefficient in cooling mode	W/W		3.28	3.29	3.42
COP performance coefficient in heating mode	W/W		3.61	4.15	4.19
Refrigerant circuit/features					
Refrigerant	type (GWP)		R410A (2088)		
	Kg (tons CO2)		4.8 (10.022)	6.2 (12.946)	
DC Inverter compressor	no. / type		Rotary DC inverter MITSUBISHI		
Refrigerant connections	Liquid	Ø mm (inch)	9.52 (3/8)		
	Gas	Ø mm (inch)	19.1 (3/4)		22.2 (7/8)
Max pipe length	m		120		
Max height difference between indoor units	m		8		
Max height difference between outdoor and indoor units	O.U. up-down	m	30 - 20		
Product specifications					
Dimensions	LxHxD	mm	1120x1558x400		
Net weight		Kg	137	146.5	147
Sound pressure level at 1 m	max	dB(A)	55/59		56/60
Sound power level	max	dB(A)	76		77
Fan air flow	max	m ³ /h	10999	10494	10494
Operating temp. range in cooling mode		°C / DB	-15 / 46		
Operating temp. range in heating mode		°C / WB	-15 / 24		
Connectable indoor units	no.		10	11	12
Capacity of connected indoor unit	%		50 - 130		

(1) Cooling capacity tested in accordance with ISO 5151 Standards; outdoor temperature 35° C DB, 24° C WB and indoor temperature 27° C DB, 19° C WB.

(2) Heating capacity tested in accordance with ISO 5151 Standards; outdoor temperature 7° C DB, 6° C WB and indoor temperature 20° C DB, 15° C WB.